

Phone: 844-428-8224
 Fax: 844-724-2417
 Email: info@allproforks.com

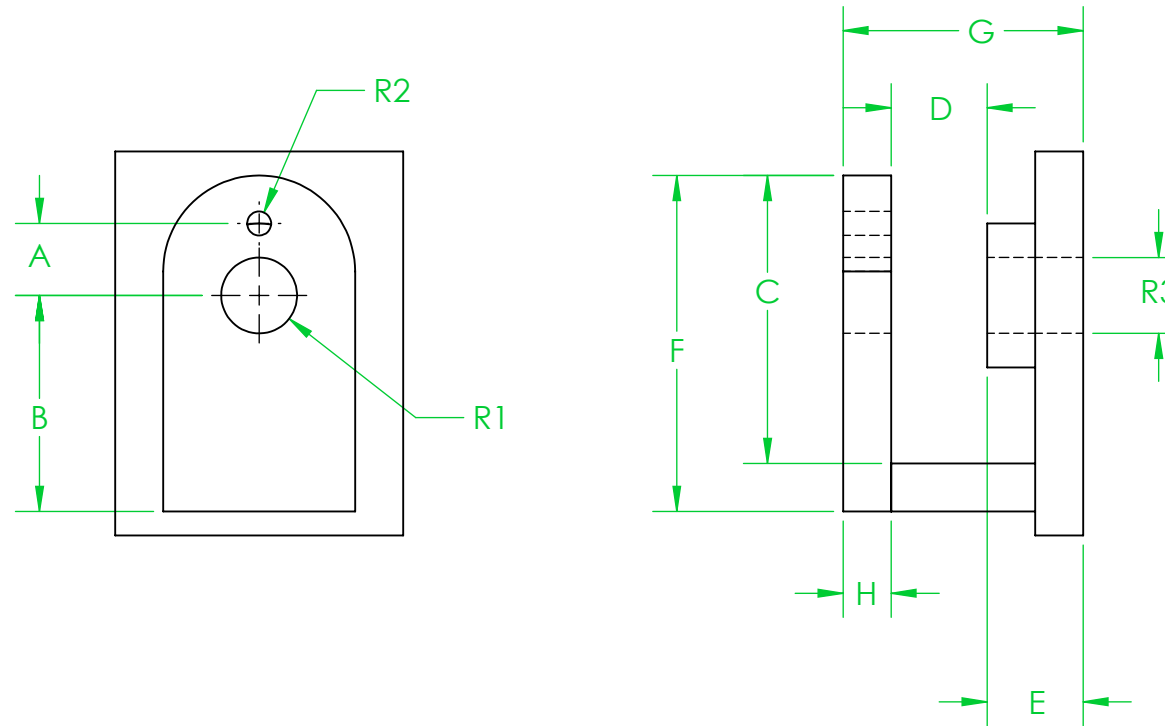
Machine Model#: _____

Machine Capacity: _____

Date: _____

A	
B	
C	
D	
E	
F	
G	
H	
R1	
R2	
R3	

If R3 is threaded place
thread size in R3 row.



Contact Name: _____

Contact Phone: _____

Customer Signature: _____

Date: _____

PROPRIETARY AND CONFIDENTIAL

THE INFORMATION CONTAINED IN THIS DRAWING IS THE SOLE PROPERTY OF ALL-PRO ANY REPRODUCTION IN PART OR AS A WHOLE WITHOUT THE WRITTEN PERMISSION OF ALL-PRO IS PROHIBITED

UNLESS OTHERWISE SPECIFIED:

DIMENSIONS ARE IN INCHES
TOLERANCES:
 FRACTIONAL ± .5
 ANGULAR: MACH ± .5 Deg
 TWO PLACE DECIMAL ± .25
 THREE PLACE DECIMAL ± .125

Weight: (lbs)

FINISH

DO NOT SCALE DRAWING

NAME DATE

DRAWN Caleb 5/2/2017

CHECKED

ENG APPR.

MFG APPR.

Q.A.

MATERIAL

COMMENTS:

ALL-PRO

TITLE:

L-Lug

DWG. NO.

Form-LL

SCALE: 1:2

REV.

SHEET 1 OF 1